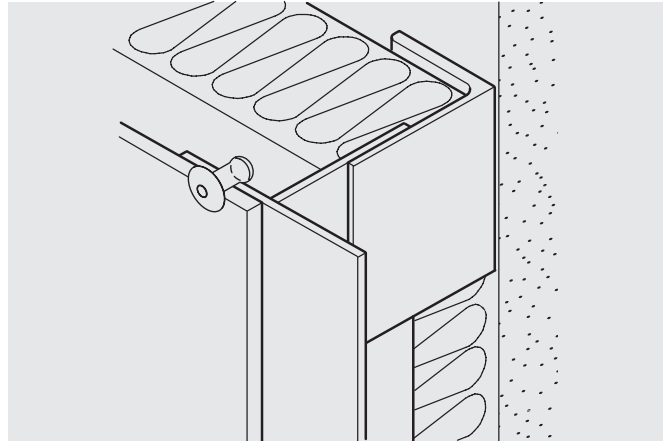


SSO-D15 Rivet



Features and Benefits

- For installation of any type of facade panel (HPL, Fiber Cement, ACM, or others) to aluminum and steel furrings
- Fast, reliable, and secure setting with every fastener
- Won't loosen in high vibration and fatigue applications

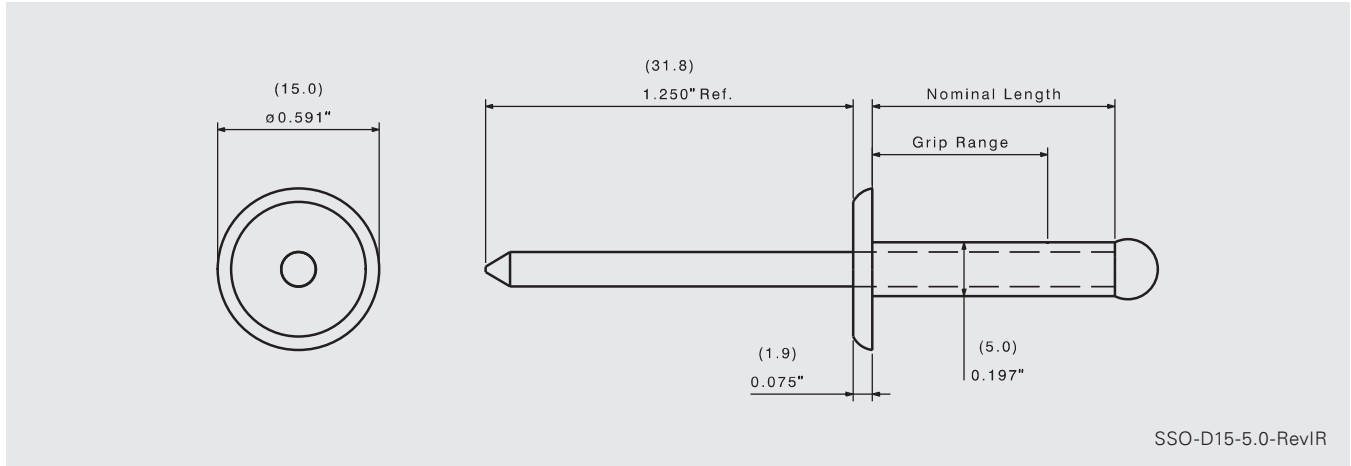
Application

Attach high-performance cladding panels to aluminum or steel sub-frames

Product Selection

Material No.	Length	Grip Range	Description	Carton Wt. (lbs.)	Carton Qty.
1262436	5 x 14 mm	4.0–9.5 mm (0.157–0.374")	SSO-D15-50140-A4	2	250
1262437	5 x 18 mm	6.0–13.5 mm (0.236–0.531")	SSO-D15-50180-A4	4	250
1262439	5 x 22 mm	12.0–18.0 mm (0.472–0.708")	SSO-D15-50220-A4	4	250

SSO-D15 Rivet



SSO-D15-5.0-RevIR

Product Specifications

Body Diameter: 0.197" (5 mm)
 Head Diameter: 0.591" (15 mm)
 Head Style: Dome Head

Body Material: 316 stainless steel (A4)
 Mandrel Material: 316 stainless steel (A4)

Performance Data¹

Material Strength

Tensile	1461 lbf / 6500 N
Shear	1191 lbf / 5300 N

Pull Out Strength

55 ksi Yield Sheet Steel		Extruded Aluminum	
18 Ga (0.048")	516 lbf / 2296 N	AlMg 3 2.0mm (0.078")	490 lbf / 2180 N
16 Ga (0.060")	704 lbf / 3133 N	6061 - T6 (0.125")	1248 lbf / 5551 N

¹ SFS (5628.19, 5453.17)

Installation and Application Considerations

5.1mm (0.201") pilot hole (#7) required in aluminum framework for fixed point. All other holes depend on material. Check the attachment method instructions provided by the cladding panel manufacturer.

Tools: Gesipa Powerbird® Pro rivet gun (#1457637), Nosepiece for SSO (#1291200), Drill Gauge for centered drill holes including drill bit ø 5.1mm.

Available Drill Gauges

Order code:	DG-146x20-7,0-5.1	1320657
	DG-146x20-8,0-5.1	1320658
	DG-146x20-9,0-5.1	1320659
	DG-146x20-10,0-5.1	1321704



US
 T 800 234 4533
 www.sfsintecusa.com

Canada
 T 866 847 5400
 www.sfsintec.ca

Metric values are approximate conversions.

The details stated are results of tests and/or calculations and therefore are non-binding and do not represent guaranties or warranted characteristics for not specified applications. All calculations therefore have to be checked and approved by the responsible planner ahead of execution. The user is responsible to assure compliance with all applicable laws and regulations.